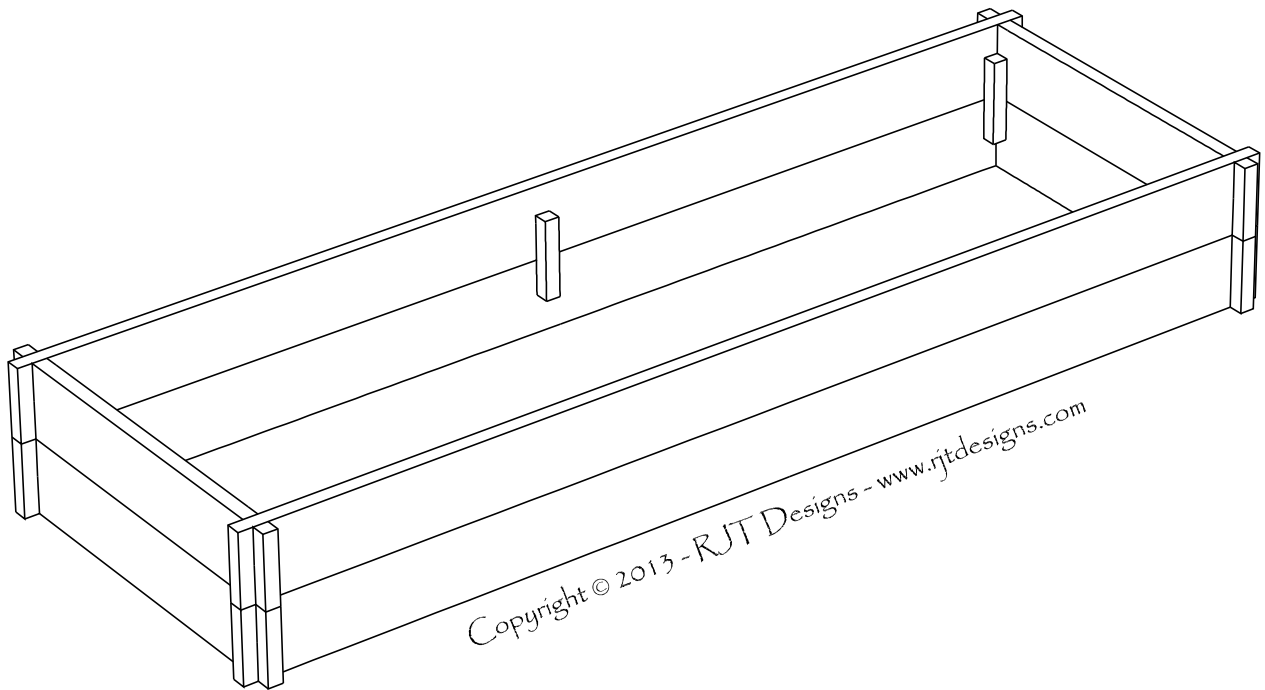


RAISED GARDEN BED



Copyright © 2010 by RJT Designs

All rights reserved, no part of this publication may be reproduced or transmitted in any form or by any means without the written permission of the authors.

The designs in this document are the copyrighted property of RJT Designs. Readers are encouraged to build these projects for their own use and enjoyment or for gifts. However, reproduction for sale or profit is forbidden by law without the written permission of RJT Designs.

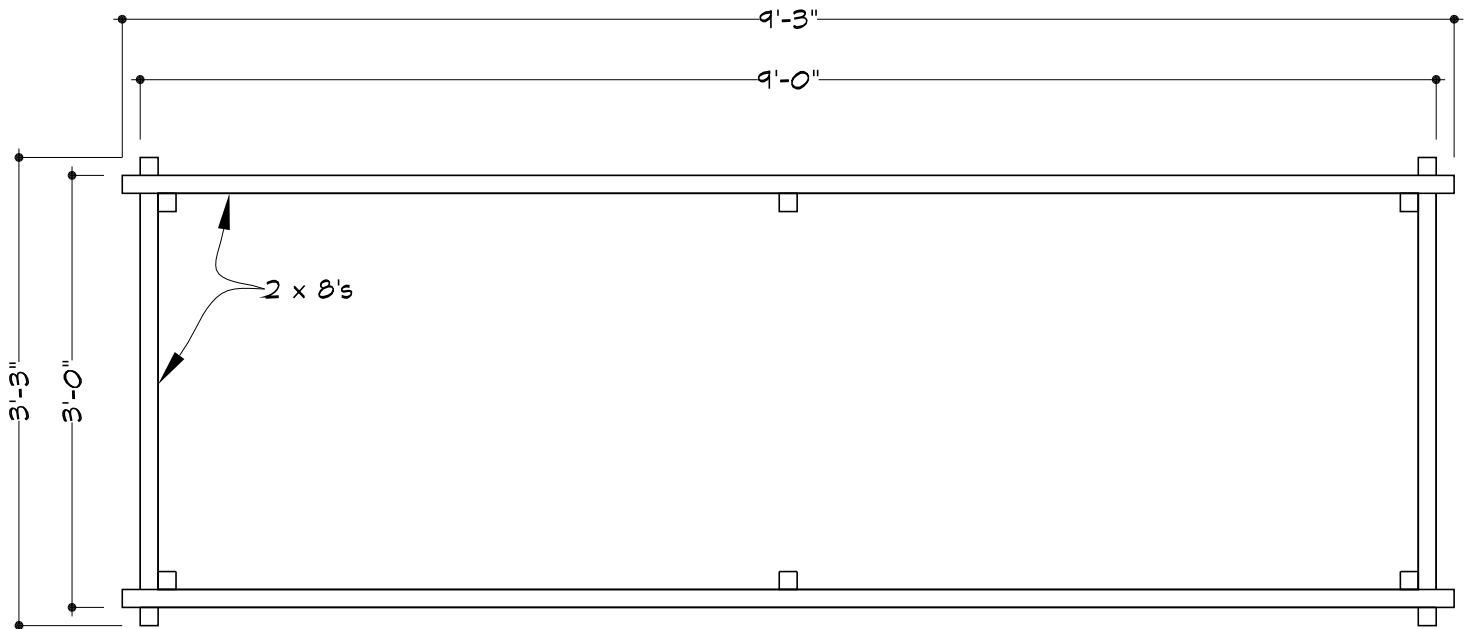
RJT Designs assumes no responsibility for the use or misuse of this product, or for any injury, damages and/or financial loss sustained to persons or property as a result of using this product. The liability from any use, misuse or abuse of the operation of any methods, strategies, instructions or ideas contained in the material herein is the sole responsibility of the reader.

RJT
DESIGNS

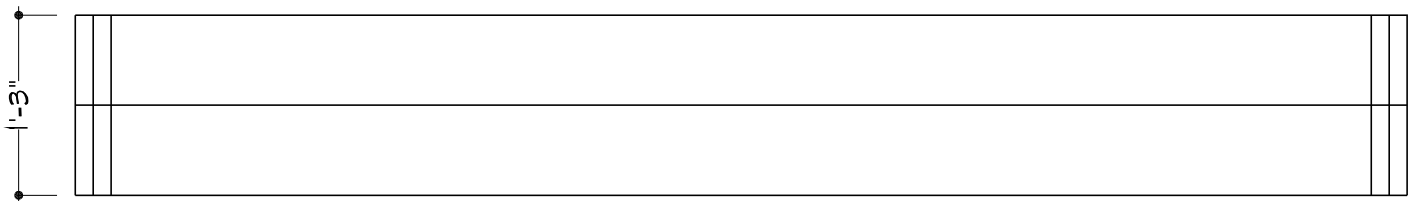
www.rjtdesigns.com

Copyright © 2013 - RJT Designs

Detail Drawing:



TOP VIEW
SCALE 1/4" = 1'-0"



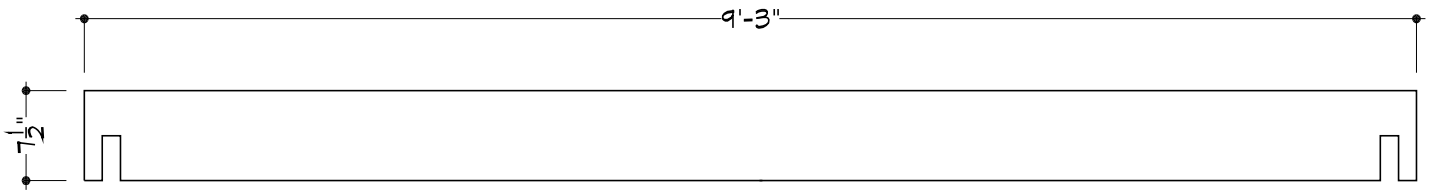
SIDE VIEW
SCALE 1/4" = 1'-0"

MATERIAL LIST (PER BED)

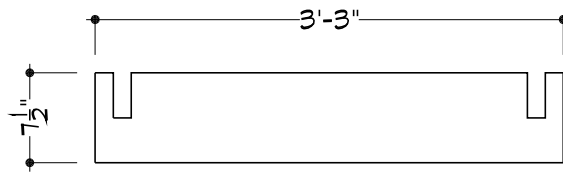
- (4) 2 x 8 x 10' - SIDE RAILS
- (2) 2 x 8 x 8' - END RAILS

- #10 X 4 OUTDOOR WOOD SCREWS
- #9 X 2-1/2 OUTDOOR WOOD SCREWS

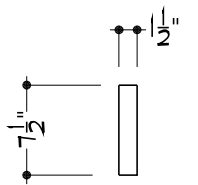
Detail Drawing: Parts



SIDE RAILS
SCALE: 3/4" = 1'-0"

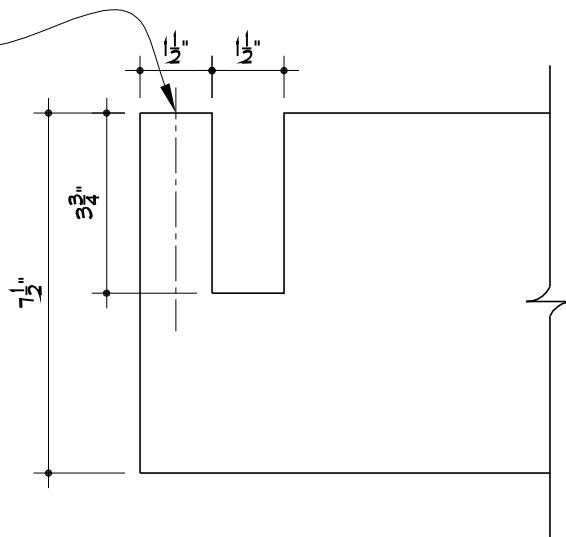


END RAILS
SCALE: 3/4" = 1'-0"



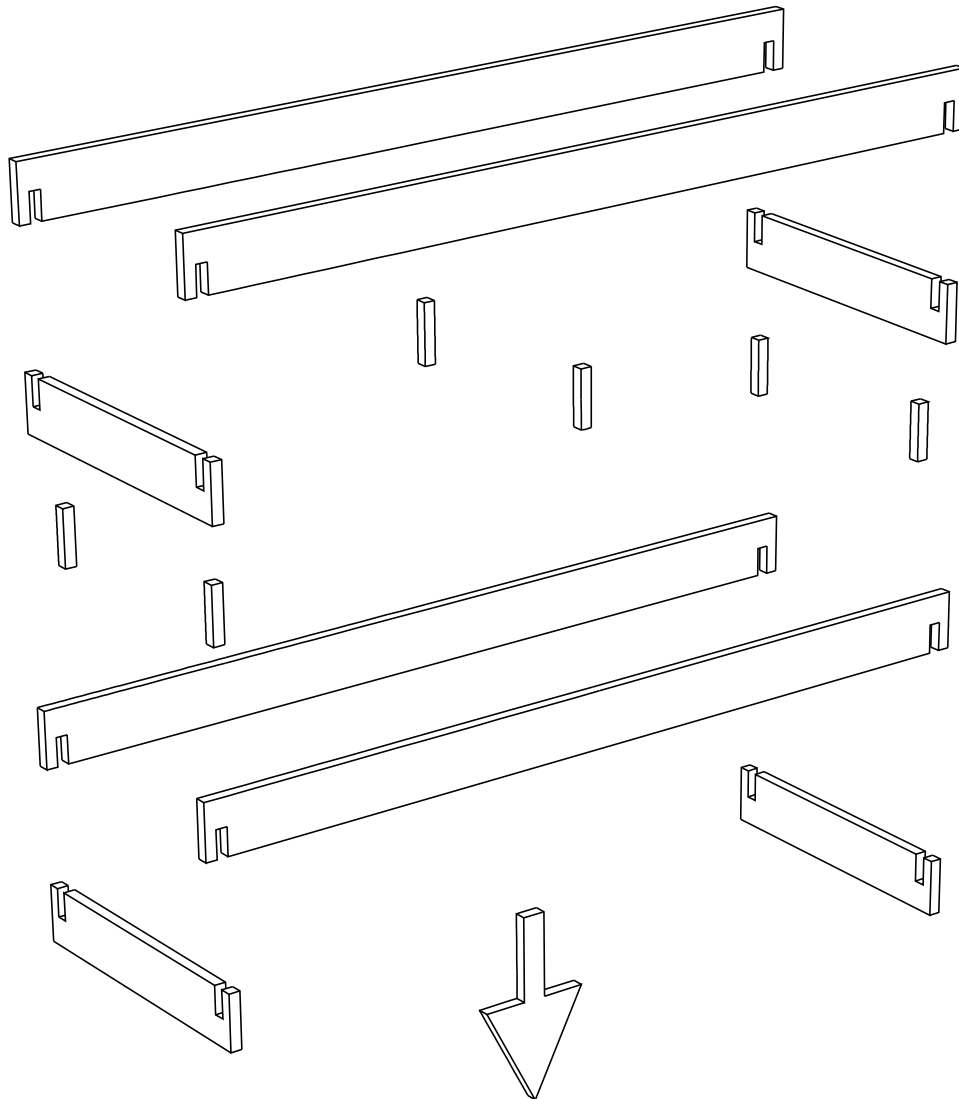
CLEATS
SCALE: 3/4" = 1'-0"

THIS PIECE MAY BECOME WEAK.
USE A #10 X 4" WOOD SCREW,
SCREWED IN FROM END, TO PREVENT
PIECE FROM BREAKING OFF.

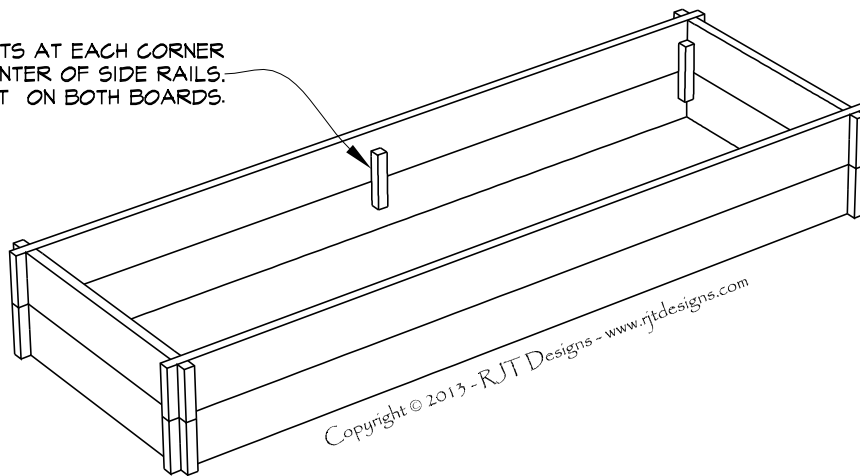


NOTCH DETAIL
SCALE: HALF

Assembly Drawing:



PLACE CLEATS AT EACH CORNER
AND AT CENTER OF SIDE RAILS.
CENTER CLEAT ON BOTH BOARDS.



Copyright © 2013 - RJT Designs - www.rjtdesigns.com